



# ALARMS & INDICATION

## EMERGENCY OPERATOR STATIONS ESP SERIES

### DESCRIPTION

The **E-Stop ESP Series emergency operator stations** offer a highly visible method to shut down equipment, initiate alarms, or give a controller input during emergency conditions. The **ESP Series** consists of a stainless steel plate with a 40mm mushroom head push-button. The button may be reset with a pull or twist of the mushroom head, depending on the button style.

### FEATURES

- **Stainless steel plate mounted**
- **Highly visible yellow/black background**
- **UL listed for Category NISD Emergency Stop Devices, File #E348889**
- **40mm Red Mushroom Operators**
- **1 N.O. and 1 N.C. contact included**



ESP-PK0-SO



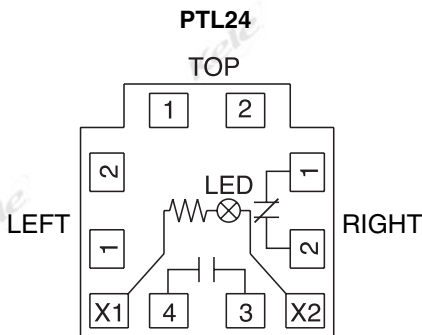
ESP-PP0-HS



### SPECIFICATIONS

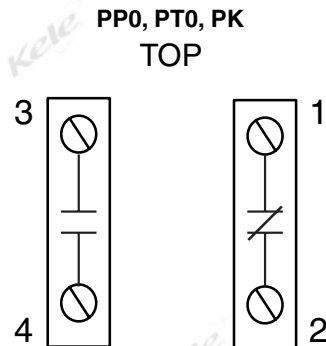
<b>Contact Rating</b>	<b>ES-NO</b> 10A, 600 VAC <b>ES-NC</b> 2.5A, 600 VDC	<b>Operating Temperature</b> -13° to 158°F (-25° to 70°C)
<b>Standard Contacts</b>	1 N.O. and 1 N.C. (Included)	<b>Enclosure Rating</b> NEMA 1, 3R, 4, 4X, 12, 13
<b>Added Contacts</b>	4 maintained total or 6 momentary total	<b>Dimensions</b> 4.5"H X 2.75"W X 0.63"D (11.4 X 7 X 1.6 cm)
<b>Mechanical Life</b>	Contact 10 million operations	<b>Weight</b> 0.58 lbs (0.26 Kg)
<b>Contact Type</b>	Self-cleaning silver contacts	<b>Approvals</b> UL Listed NISD File# E348889
<b>Contact Resistance</b>	<25 milli-ohms closed	<b>Warranty</b> 1 year

### WIRING



1 NO-1 NC

Note: Standard contact arrangement



1 NO-1 NC

Note: Standard contact arrangement  
(4 momentary or 6 maintained total maximum)

# ALARMS & INDICATION

## EMERGENCY OPERATOR STATIONS ESP SERIES



2

ALARMS & INDICATION

### ORDERING INFORMATION

Model	Description
ESP	Plate-mounted Emergency Operator Station (UL NISD) (1-N.O. & 1-N.C. Contacts Included)
	<b>Button Style</b>
PP0	Red maintained 40mm mushroom (push-pull)
PT0	Red maintained 40mm mushroom (push-twist)
PTL24	Illuminated 24V Red maintained 40mm mushroom (push-twist, lamp included)
PK0	Red maintained 40mm mushroom (push- key release)
	<b>Legend</b>
BS	Emergency - Boiler Shut-down
CS	Emergency - Chiller Stop
FN	Emergency - Exhaust Fan
HS	Emergency- HVAC Shut-down
PO	Emergency - Power Off
RP	Emergency - Refrigerant Purge
SD	Emergency - Shut Down
SO	Emergency - Shut Off
ST	Emergency - Stop
VP	Emergency - Ventilation Stop
VT	Emergency - Ventilation Start

ESP - PP0 - CS

\*18 character max, no color changes, no font changes, no company logos.

**Example:** ESP-PP0-CS Plate mounted Emergency Operator Station. Red Maintained Push-Pull button labeled as "Chiller Stop".

### ACCESSORIES

**ES-KEY**

**ES-NC**

**ES-NO**

Replacement Key for PK0 option, ESM and ESP series  
 Normally Closed Contact Block for Non-illuminated ESM, ESB, and ESP Emergency Operator Stations  
 Normally Open Contact Block for Non-illuminated ESM, ESB, and ESP Emergency Operator Stations